



### Main

Range of product	OsiSense XC
Series name	Basic
Product or component type	Limit switch
Product specific application	Medium duty
Device short name	XCE
Body type	Fixed
Head type	Rotary head
Material	Plastic and metal
Fixing mode	By the body
Movement of operating head	Rotary
Type of operator	Spring return roller lever thermoplastic variable length
Switch actuation	By 30° cam
Type of approach	Lateral approach, 2 directions
Electrical connection	Screw-clamp terminals, clamping capacity: 1 x 1.5 mm <sup>2</sup>
Cable entry	1 flexible rubber cable gland, cable outer diameter: 6...9 mm
Number of poles	2
Contact operation	Snap action
Positive opening	Without
Maximum force for tripping	7.5 N

### Complementary

Contacts insulation form	Za
Minimum release force	0.5 N
Minimum actuation speed	9 mm/s
Maximum actuation speed	1 m/s
Maximum operating rate	120 cyc/mn
Contact code designation	A300, AC (U <sub>e</sub> = 240 V), I <sub>e</sub> = 3 A, I <sub>the</sub> = 10 A conforming to IEC 60947-5-1 R300, DC (U <sub>e</sub> = 220 V), I <sub>e</sub> = 0.3 A conforming to IEC 60947-5-1
Maximum resistance across terminals	25 MOhm
[U <sub>imp</sub> ] rated impulse withstand voltage	4 kV conforming to IEC 60664
Electrical durability	800000 cycles, AC, 3 A, 220 V
Mechanical durability	10000000 cycles
Width	28 mm
Height	125 mm
Depth	48 mm
Net weight	0.175 kg
Terminals description ISO n°1	(3-4-1-2)OF

The information provided in this documentation contains general descriptions and/or technical characteristics of the performance of the products contained herein. This documentation is not intended as a substitute for and is not to be used for determining suitability or reliability of these products for specific user applications. It is the duty of any such user or integrator to perform the appropriate and complete risk analysis, evaluation and testing of the products with respect to the relevant specific application or use thereof. Neither TWSS Holding nor any of its affiliates or subsidiaries shall be responsible or liable for misuse of the information contained herein.

## Environment

Shock resistance	30 gn for 11 ms conforming to IEC 60068-2-27
Vibration resistance	+/- 3 mm (f= 10...55 Hz) conforming to IEC 60068-2-6
IP degree of protection	IP65 conforming to IEC 60529
Electrical shock protection class	Class I conforming to IEC 60947-5-1
Ambient air temperature for operation	-25...70 °C
Ambient air temperature for storage	-40...70 °C
Marking	CE CCC
Standards	IEC 60947-5-1 GB 14048.5

## Packing Units

Unit Type of Package 1	PCE
Number of Units in Package 1	1
Package 1 Height	3.200 cm
Package 1 Width	4.800 cm
Package 1 Length	13.200 cm
Package 1 Weight	193.000 g
Unit Type of Package 2	S02
Number of Units in Package 2	45
Package 2 Height	15.000 cm
Package 2 Width	30.000 cm
Package 2 Length	40.000 cm
Package 2 Weight	8.945 kg
Unit Type of Package 3	P06
Number of Units in Package 3	720
Package 3 Height	75.000 cm
Package 3 Width	80.000 cm
Package 3 Length	60.000 cm
Package 3 Weight	151.120 kg

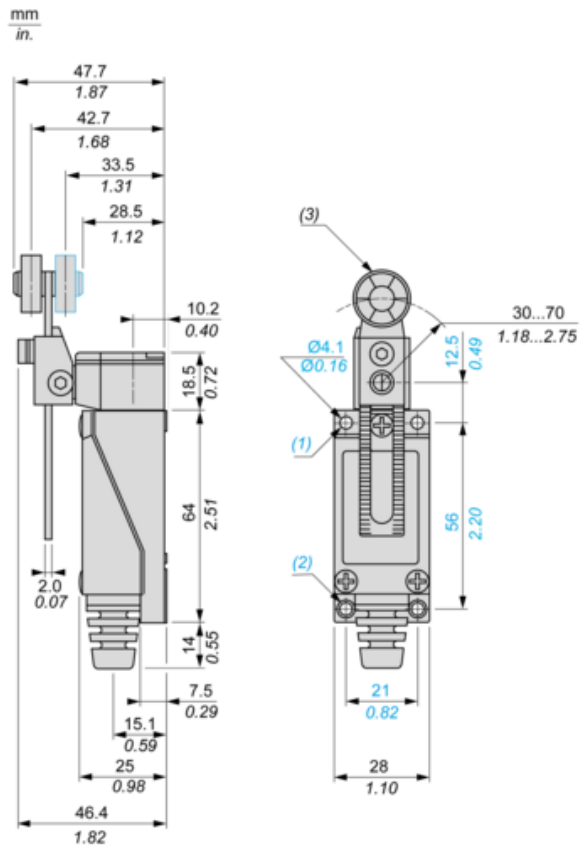
## Offer Sustainability

California proposition 65	WARNING: This product can expose you to chemicals including: Diisononyl phthalate (DINP), which is known to the State of California to cause cancer, and Di-isodecyl phthalate (DIDP), which is known to the State of California to cause birth defects or other reproductive harm. For more information go to <a href="http://www.P65Warnings.ca.gov">www.P65Warnings.ca.gov</a>
For all Reach Rohs enquiries contact us at	<a href="mailto:sustainability@tesensors.com">sustainability@tesensors.com</a>

## Contractual warranty

Warranty	18 months
----------	-----------

Dimensions



- (1) : 2 holes M5 tapped 7 mm / 0.27 inches in depth.
- (2) : 2 M5 tapped holes.
- (3) : Nylon and metal roller  $\varnothing 18 \times 7$  mm /  $\varnothing 0.70 \times 0.27$  in.

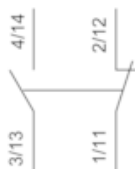
---

## Connection and Schema

---

### Wiring Diagram

1 NO + 1 NC

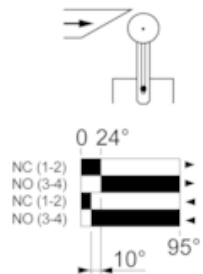


---

Technical Description

---

Type of Operator and Functional Diagram, Travel Distance



- (1)
- (2)
- ▶ (3)
- ◀ (4)

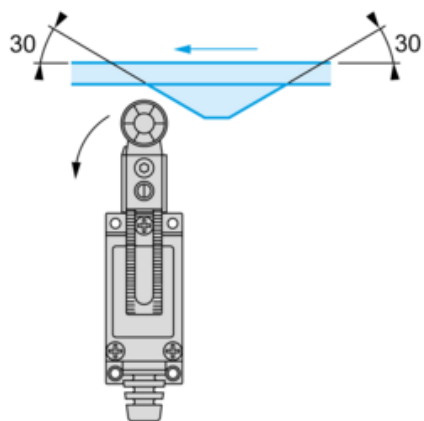
- (1) : Contact closed
- (2) : Contact open
- (3) : Tripping
- (4) : Resetting

---

## Mounting with Adjustable Roller Lever

---

### Recommended Mounting



### Mounting to be Avoided

